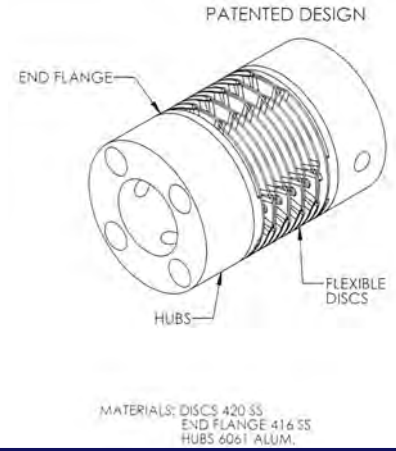
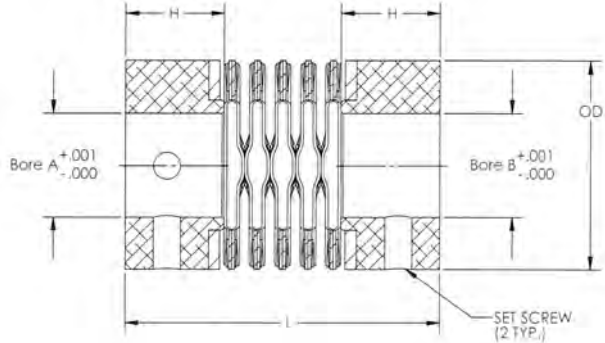
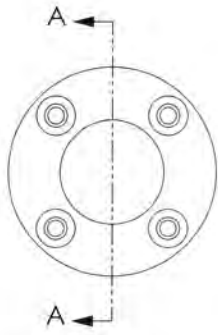


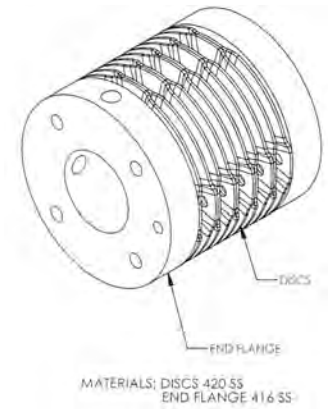
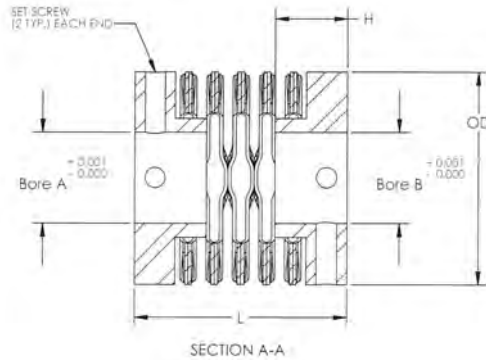
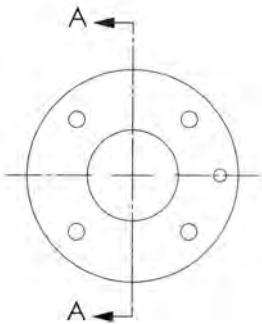
# ENGLISH\* C-FLEX LATTICE COUPLING



DIMENSIONAL SPECIFICATIONS								PERFORMANCE SPECIFICATIONS					
P/N	OD	L	MIN* BORE A/B	MAX* BORE A/B	H	SET SCREW SIZE	MAX TORQUE (LB*IN)	MAX RPM	MAX ANGULAR OFFSET (DEG)	MAX PARALLEL OFFSET	MAX AXIAL OFFSET	WEIGHT (OZ.)	STATIC TORSIONAL STIFFNESS (LB*IN/DEG)
500750	0.75	1.375	0.125	0.375	0.475	M4 X 0.7	12	10,000	7	0.01	0.02	0.74	11
501000	1	1.5	0.25	0.5	0.474	M4 X 0.7	24	7,500	7	0.015	0.025	1.41	27
501250	1.25	1.65	0.375	0.625	0.46	M5 X 0.8	48	7,500	7	0.015	0.03	2.16	51
501500	1.5	2.25	0.5	0.75	0.704	M6 X 1.0	75	5,000	7	0.02	0.03	4.35	89
501750	1.75	2.6	0.625	0.875	0.755	M6 X 1.0	135	5,000	7	0.02	0.04	6.69	135
502000	2	2.85	0.75	1	0.816	M8 X 1.25	180	3,750	7	0.025	0.05	9.92	205
502500	2.5	3.1	0.875	1.25	0.793	M8 X 1.25	300	3,750	7	0.025	0.05	16.45	395

\*METRIC SIZES AVAILABLE

# ENGLISH\* C-FLEX LATTICE SERVO COUPLING



DIMENSIONAL SPECIFICATIONS								PERFORMANCE SPECIFICATIONS					
P/N	OD	L	MIN* BORE A/B	MAX* BORE A/B	H	SET SCREW SIZE	MAX TORQUE (LB*IN)	MAX RPM	MAX ANGULAR OFFSET (DEG)	MAX PARALLEL OFFSET	MAX AXIAL OFFSET	WEIGHT (OZ.)	STATIC TORSIONAL STIFFNESS (LB*IN/DEG)
300750	0.75	0.75	0.125	0.375	0.24	M3 X 0.5	12	10,000	7	0.01	0.02	0.84	11
301000	1	1	0.25	0.5	0.345	M3 X 0.5	24	7,500	7	0.015	0.025	1.6	27
301250	1.25	1.25	0.375	0.625	0.535	M5 X 0.8	48	7,500	7	0.015	0.03	2.45	51
301500	1.5	1.5	0.5	0.75	0.505	M5 X 0.8	75	5,000	7	0.02	0.03	4.94	89
301750	1.75	1.75	0.625	0.875	0.55	M5 X 0.8	135	5,000	7	0.02	0.04	7.59	135
302000	2	2	0.75	1	0.555	M5 X 0.8	180	3,750	7	0.025	0.05	11.26	205
302500	2.5	2.5	0.875	1.25	0.615	M6 X 1.00	300	3,750	7	0.025	0.05	18.67	395

\*METRIC SIZES AVAILABLE