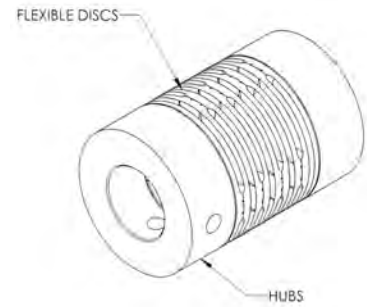
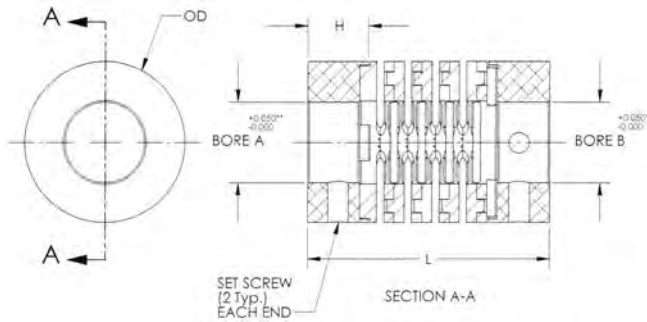


# METRIC\* C-FLEX SUPERPLASTIC LATTICE COUPLING



MATERIALS  
DISCS: HIGH PERFORMANCE  
POLYAMIDE RESIN  
HUBS: 6061 ALUM.

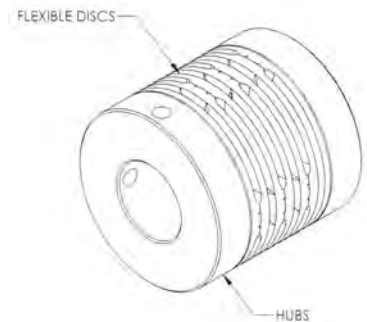
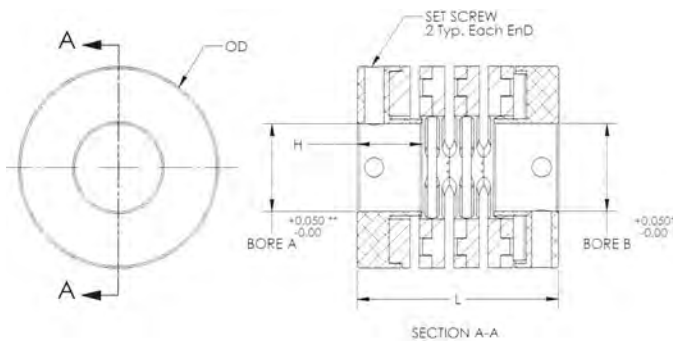
DIMENSIONAL SPECIFICATIONS								PERFORMANCE SPECIFICATIONS					
P/N	OD	L	MIN* BORE A/B	MAX* BORE A/B	H	SET SCREW SIZE	MAX TORQUE (N*m)	MAX RPM	MAX ANGULAR OFFSET (DEG)	MAX PARALLEL OFFSET	MAX AXIAL OFFSET	WEIGHT (g)	STATIC TORSIONAL STIFFNESS (N*m/DEG)
640500	12.7	21.6	4	6	5.9	M3 X 0.5	0.6	10,000	7	0.13	0.2	15.6	0.11
641000	25.4	38.1	6	12	9.7	M4 X 0.7	2.3	7,500	7	0.2	0.3	26.3	2.0
641500	38.1	55.9	10	19	14	M5 X 0.8	5.7	5,000	7	0.25	0.46	87.9	3.2
642000	50.8	69.8	13	25	16.2	M6 X 1.0	13.6	3,750	7	0.25	0.51	198	7.6
642500	63.5	82.6	16	32	18	M8 X 1.25	22.6	3,750	7	0.25	0.51	330	14.6

\*ENGLISH SIZES AVAILABLE

\*\*STD. TOLERANCE

ALSO AVAILABLE IN H7 TOLERANCE

# METRIC\* C-FLEX SUPERPLASTIC LATTICE SERVO COUPLING



MATERIALS  
DISCS: HIGH PERFORMANCE POLYAMIDE  
RESIN  
HUBS: 6061 ALUM.

DIMENSIONAL SPECIFICATIONS								PERFORMANCE SPECIFICATIONS					
P/N	OD	L	MIN* BORE A/B	MAX* BORE A/B	H	SET SCREW SIZE	MAX TORQUE (N*m)	MAX RPM	MAX ANGULAR OFFSET (DEG)	MAX PARALLEL OFFSET	MAX AXIAL OFFSET	WEIGHT (g)	STATIC TORSIONAL STIFFNESS (N*m/DEG)
440500	12.7	15.9	4	5	7	M3 X 0.5	0.6	10,000	5	0.08	0.15	8.5	0.17
441000	25.4	25.4	6	11	8.3	M4 X 0.7	2.3	7,500	5	0.13	0.2	14.2	1.4
441500	38.1	38.1	10	16	13.3	M5 X 0.8	5.7	5,000	5	0.18	0.33	47.3	4.5
442000	50.8	50.8	13	19	15.9	M6 X 1.0	13.6	3,750	5	0.18	0.36	106	10.2
442500	63.5	63.5	16	25	19	M8 X 1.25	22.6	3,750	5	0.18	0.36	177	20.0

\*ENGLISH SIZES AVAILABLE

\*\*STD. TOLERANCE

ALSO AVAILABLE IN H7 TOLERANCE