

D

C

B

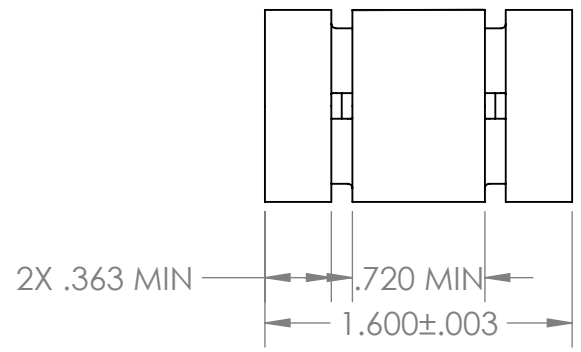
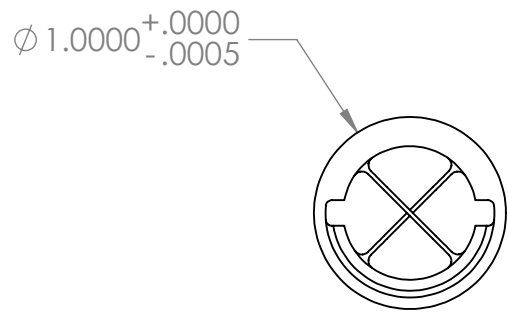
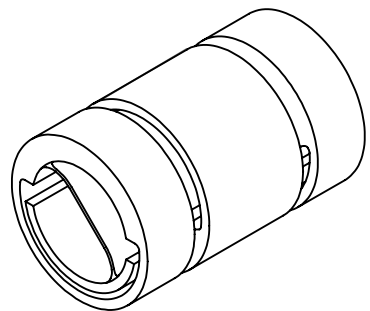
A

D

C

B

A



PROPRIETARY AND CONFIDENTIAL
 THE INFORMATION CONTAINED IN THIS DRAWING IS THE SOLE PROPERTY OF C-FLEX BEARING COMPANY INC. ANY REPRODUCTION IN PART OR AS A WHOLE WITHOUT THE WRITTEN PERMISSION OF C-FLEX BEARING COMPANY INC. IS PROHIBITED.

			UNLESS OTHERWISE SPECIFIED:		NAME	DATE
			DIMENSIONS ARE IN INCHES	DRAWN	VC	3/25
			TOLERANCES:	CHECKED		
			FRACTIONAL \pm	ENG APPR.		
			ANGULAR: MACH \pm BEND \pm	MFG APPR.		
			TWO PLACE DECIMAL \pm	Q.A.		
			THREE PLACE DECIMAL \pm	COMMENTS:		
			INTERPRET GEOMETRIC TOLERANCING PER:			
			MATERIAL			
			400 SS			
REV.	CHANGE	DATE	FINISH			

C-FLEX BEARING COMPANY		
TITLE:		
JD-20		
SIZE	DWG. NO.	REV
A	4030-JD-20	-
SCALE: N/A	WEIGHT:	SHEET 1 OF 1

5

4

3

2

1